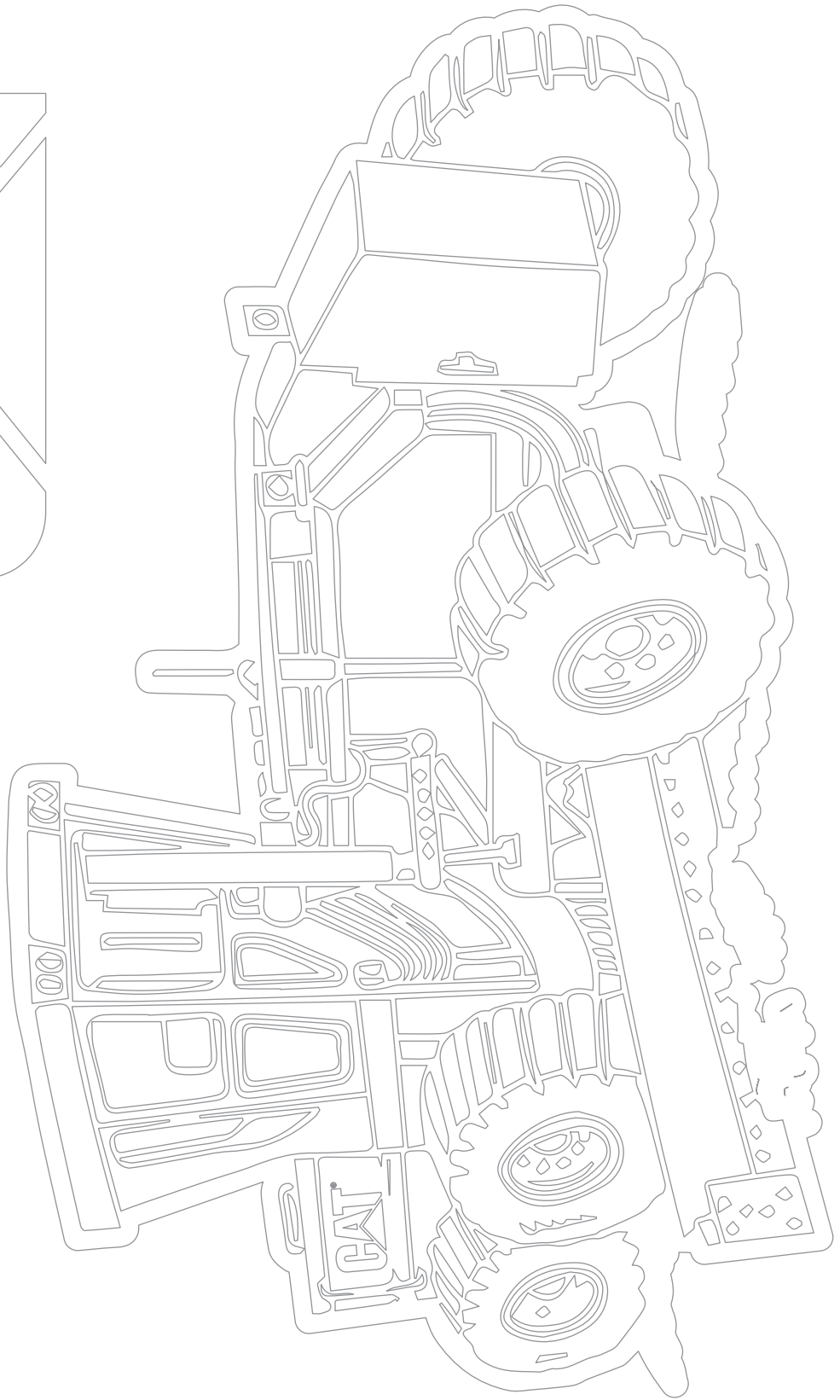




CAT

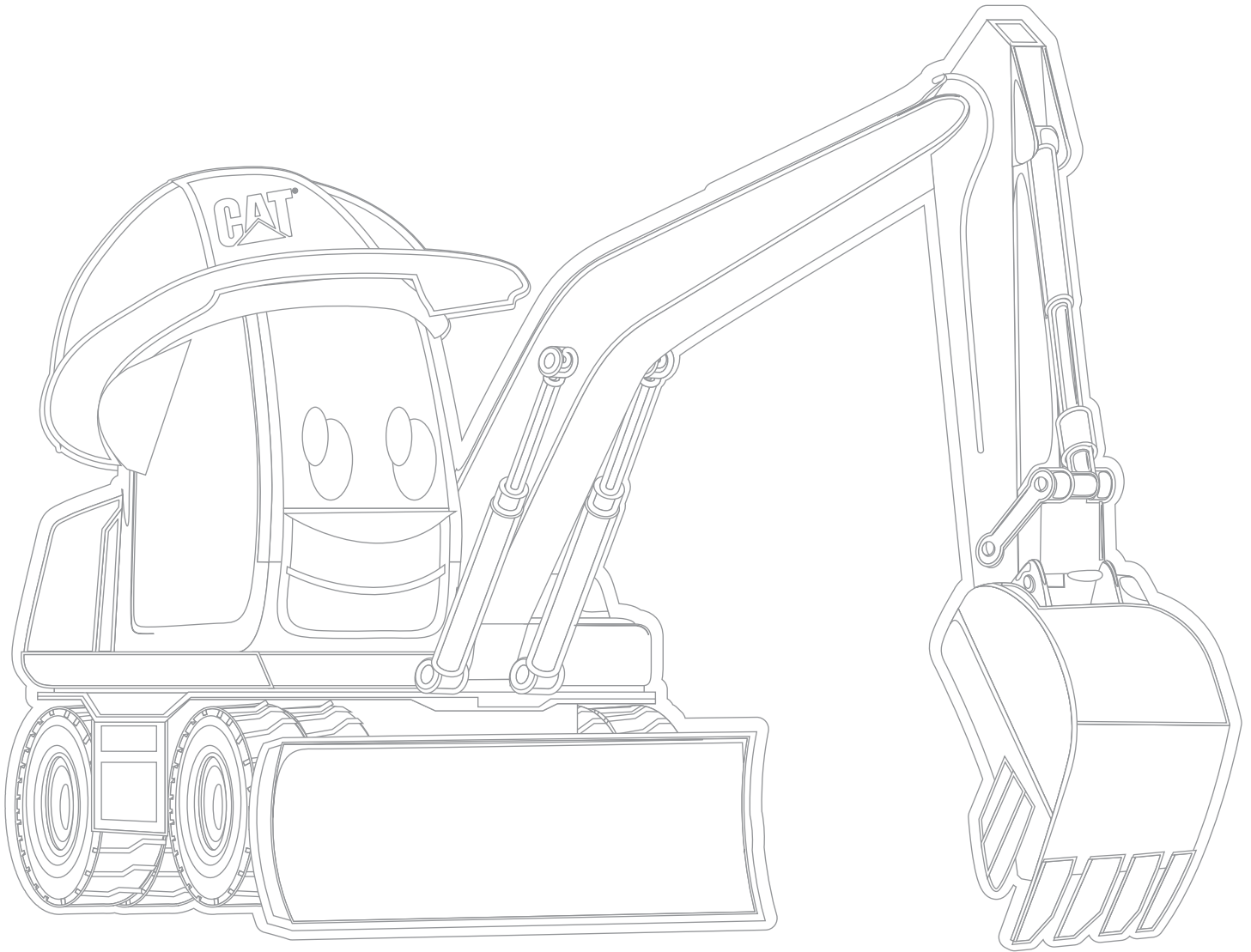


© 2019 Caterpillar. All Rights Reserved.
 CAT, CATERPILLAR, LET'S DO THE WORK, their
 respective logos, "Caterpillar Yellow", the "Power
 Edge" and Cat "Modern Hex" trade dress as well
 as corporate and product identity used herein,
 are trademarks of Caterpillar and may not be used
 without permission.
www.cat.com / www.caterpillar.com
 Brush Art Corporation, a licensee of Caterpillar Inc.

Coloring sheets are for internal use only.
 If you wish to reproduce for other purposes, please contact Darla Hall at Witty Publications
 at dhall@wittypublications.com to place your order.



Created by Darla Hall, owner of Witty Publications
 for the Brush Art Corporation.
www.wittypubs.com | © Witty Publications 2019

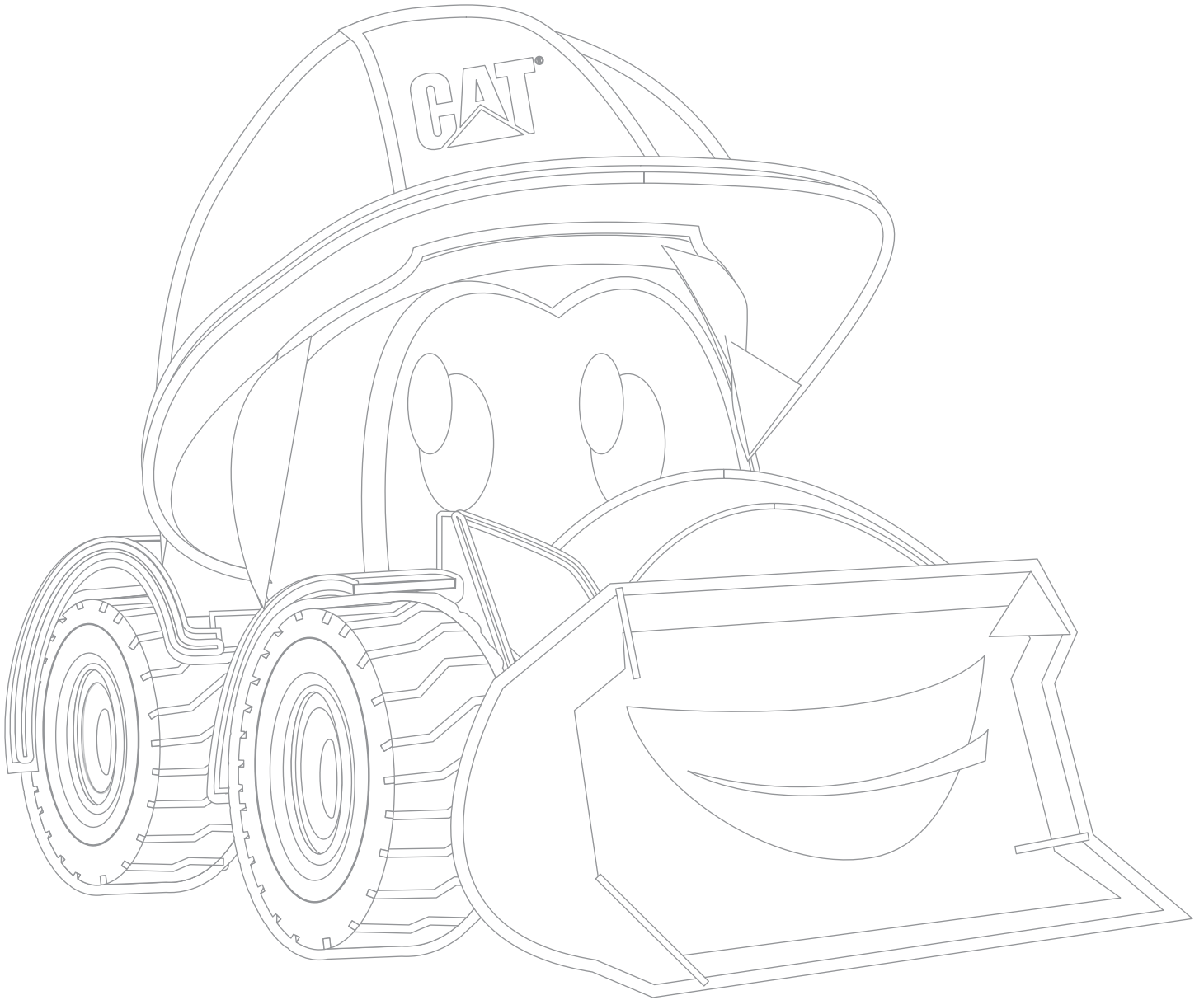


© 2019 Caterpillar. All Rights Reserved.
CAT, CATERPILLAR, LET'S DO THE WORK, their
respective logos, "Caterpillar Yellow", the "Power
Edge" and Cat "Modern Hex" trade dress as well
as corporate and product identity used herein,
are trademarks of Caterpillar and may not be used
without permission.
www.cat.com / www.caterpillar.com
Brush Art Corporation, a licensee of Caterpillar Inc.

Coloring sheets are for internal use only.
If you wish to reproduce for other purposes, please contact Darla Hall at Witty Publications
at dhall@wittypublications.com to place your order.



Created by Darla Hall, owner of Witty Publications
for the Brush Art Corporation.
www.wittypubs.com | © Witty Publications 2019



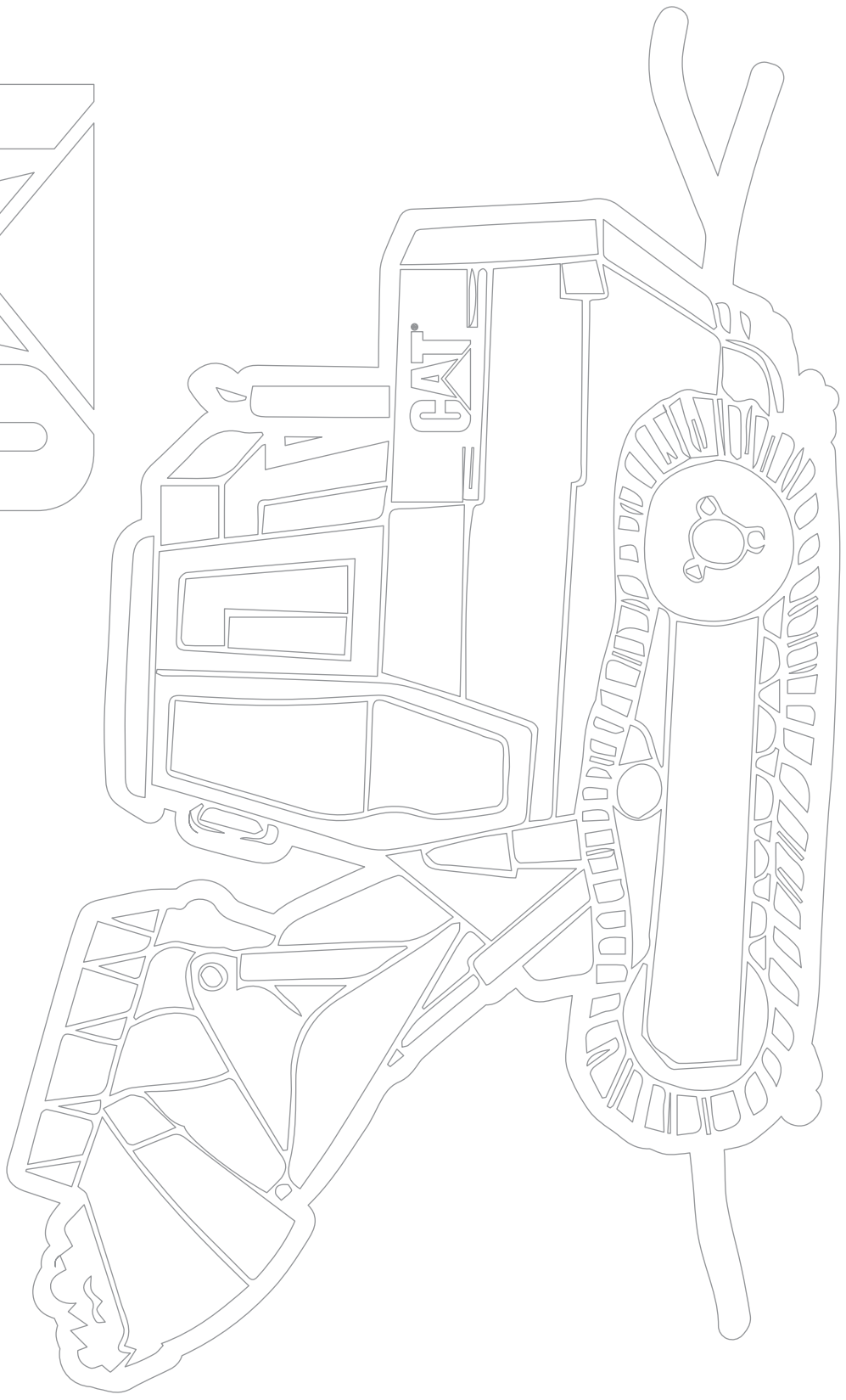
© 2019 Caterpillar. All Rights Reserved.
CAT, CATERPILLAR, LET'S DO THE WORK, their
respective logos, "Caterpillar Yellow", the "Power
Edge" and Cat "Modern Hex" trade dress as well
as corporate and product identity used herein,
are trademarks of Caterpillar and may not be used
without permission.
www.cat.com / www.caterpillar.com
Brush Art Corporation, a licensee of Caterpillar Inc.

Coloring sheets are for internal use only.
If you wish to reproduce for other purposes, please contact Darla Hall at Witty Publications
at dhall@wittypublications.com to place your order.



Created by Darla Hall, owner of Witty Publications
for the Brush Art Corporation.
www.wittypubs.com | © Witty Publications 2019

©
CAT



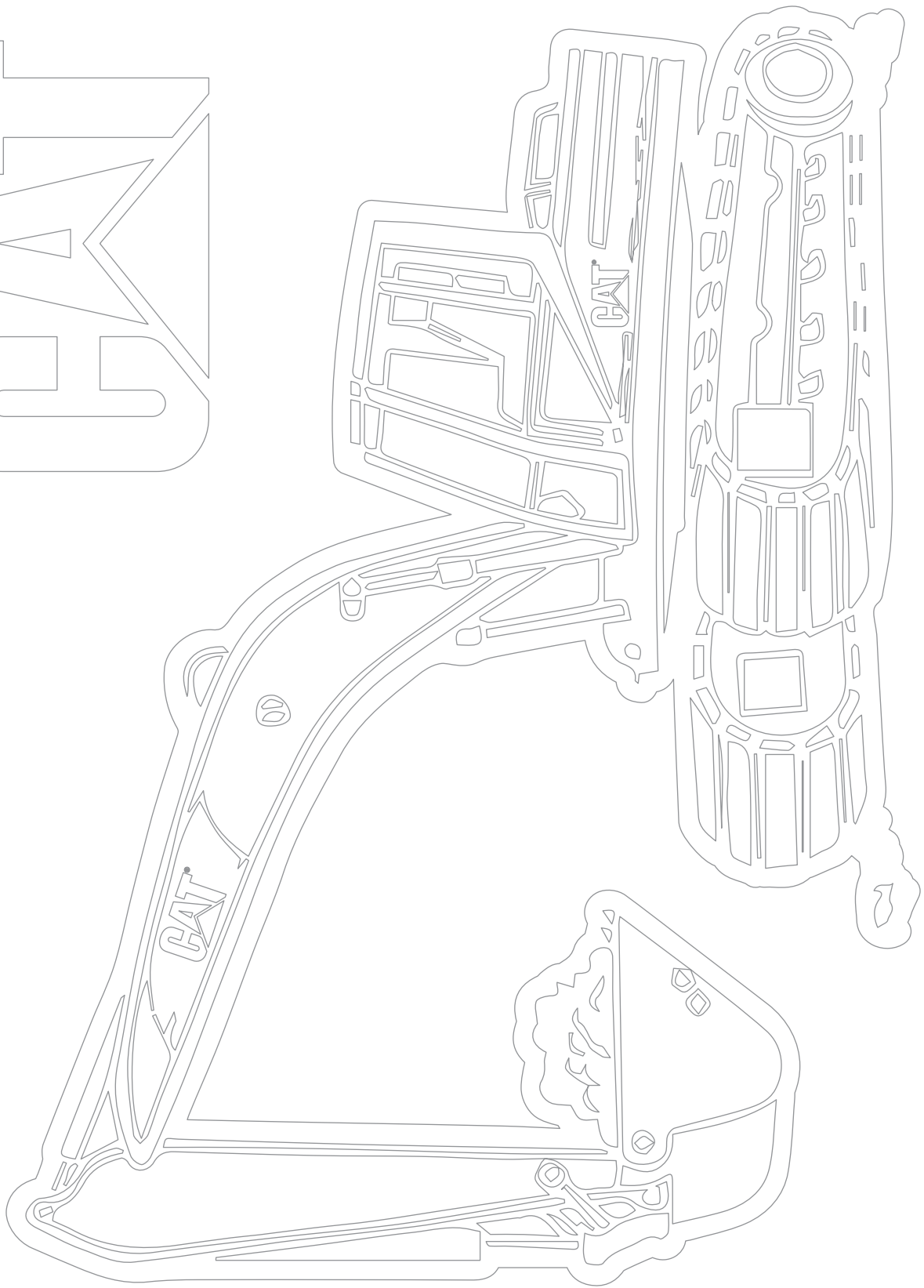
© 2019 Caterpillar. All Rights Reserved.
CAT, CATERPILLAR, LET'S DO THE WORK, their
respective logos, "Caterpillar Yellow", the "Power
Edge" and Cat "Modern Hex" trade dress as well
as corporate and product identity used herein,
are trademarks of Caterpillar and may not be used
without permission.
www.cat.com / www.caterpillar.com
Brush Art Corporation, a licensee of Caterpillar Inc.

Coloring sheets are for internal use only.
If you wish to reproduce for other purposes, please contact Darla Hall at Witty Publications
at dhall@wittypublications.com to place your order.



Created by Darla Hall, owner of Witty Publications
for the Brush Art Corporation.
www.wittypubs.com | © Witty Publications 2019

©
CAT



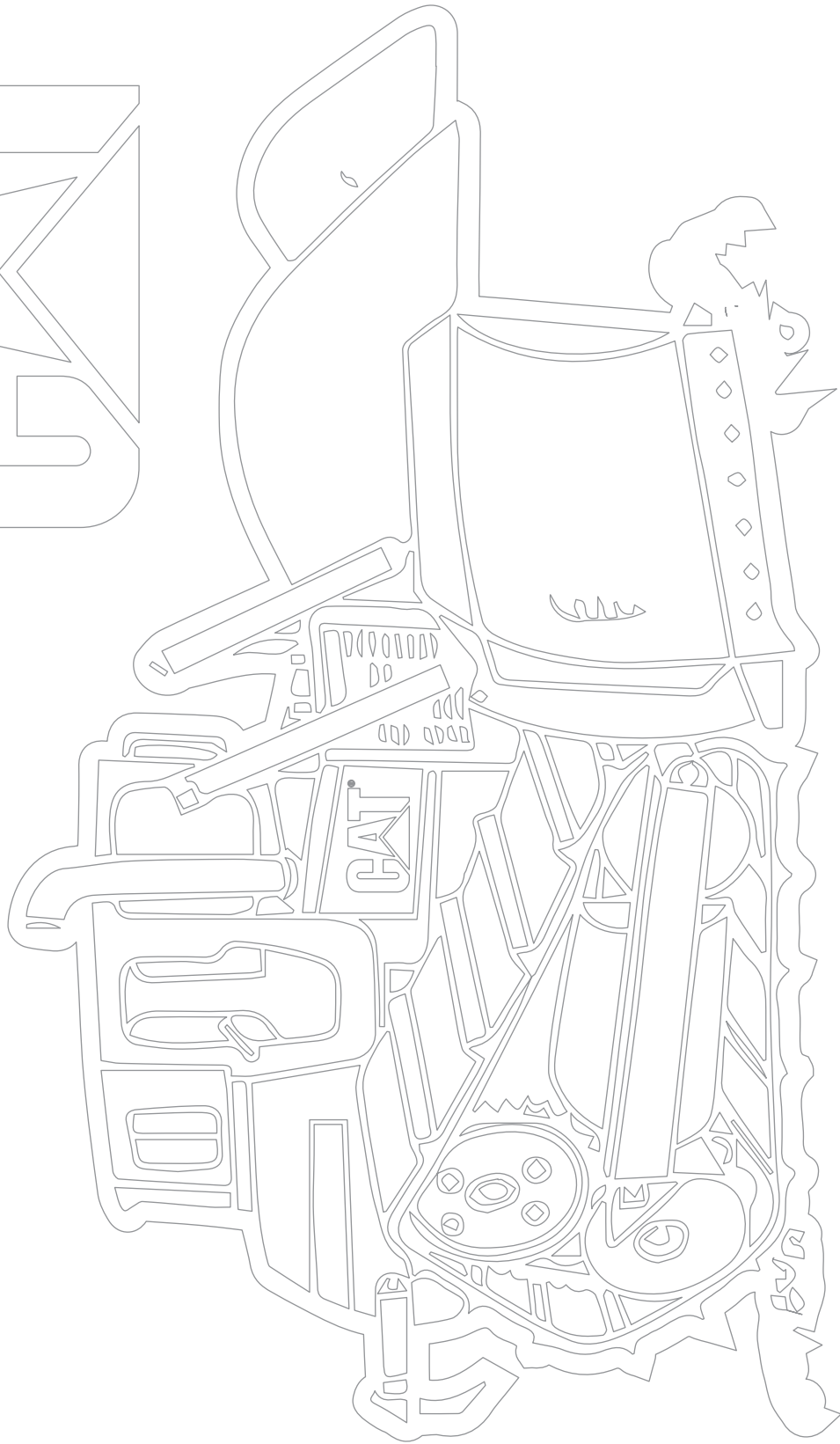
© 2019 Caterpillar. All Rights Reserved.
CAT, CATERPILLAR, LET'S DO THE WORK, their
respective logos, "Caterpillar Yellow", the "Power
Edge" and Cat "Modern Hex" trade dress as well
as corporate and product identity used herein,
are trademarks of Caterpillar and may not be used
without permission.
www.cat.com / www.caterpillar.com
Brush Art Corporation, a licensee of Caterpillar Inc.

Coloring sheets are for internal use only.
If you wish to reproduce for other purposes, please contact Darla Hall at Witty Publications
at dhall@wittypublications.com to place your order.



Created by Darla Hall, owner of Witty Publications
for the Brush Art Corporation.
www.wittypubs.com | © Witty Publications 2019

©
CAT



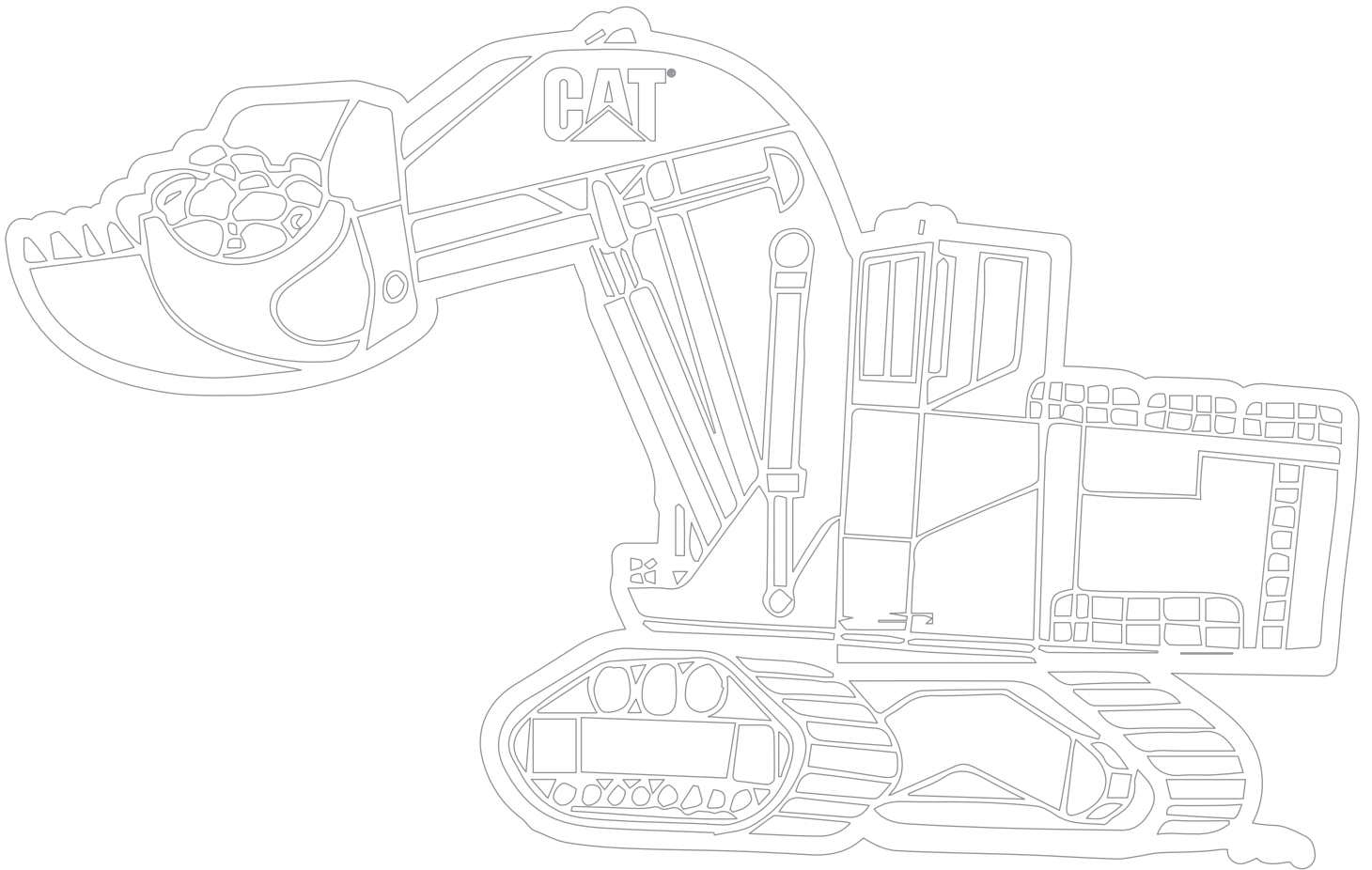
© 2019 Caterpillar. All Rights Reserved.
CAT, CATERPILLAR, LET'S DO THE WORK, their
respective logos, "Caterpillar Yellow", the "Power
Edge" and Cat "Modern Hex" trade dress as well
as corporate and product identity used herein,
are trademarks of Caterpillar and may not be used
without permission.
www.cat.com / www.caterpillar.com
Brush Art Corporation, a licensee of Caterpillar Inc.

Coloring sheets are for internal use only.
If you wish to reproduce for other purposes, please contact Darla Hall at Witty Publications
at dhall@wittypublications.com to place your order.



Created by Darla Hall, owner of Witty Publications
for the Brush Art Corporation.
www.wittypubs.com | © Witty Publications 2019

CAT®

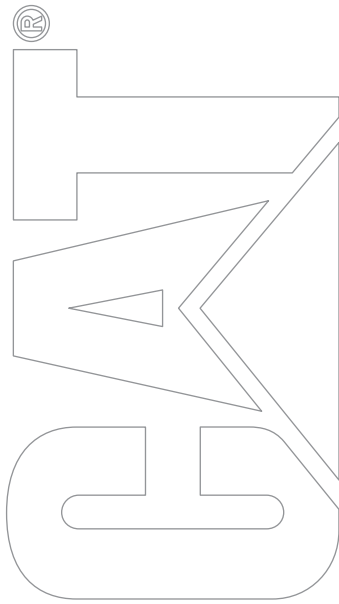
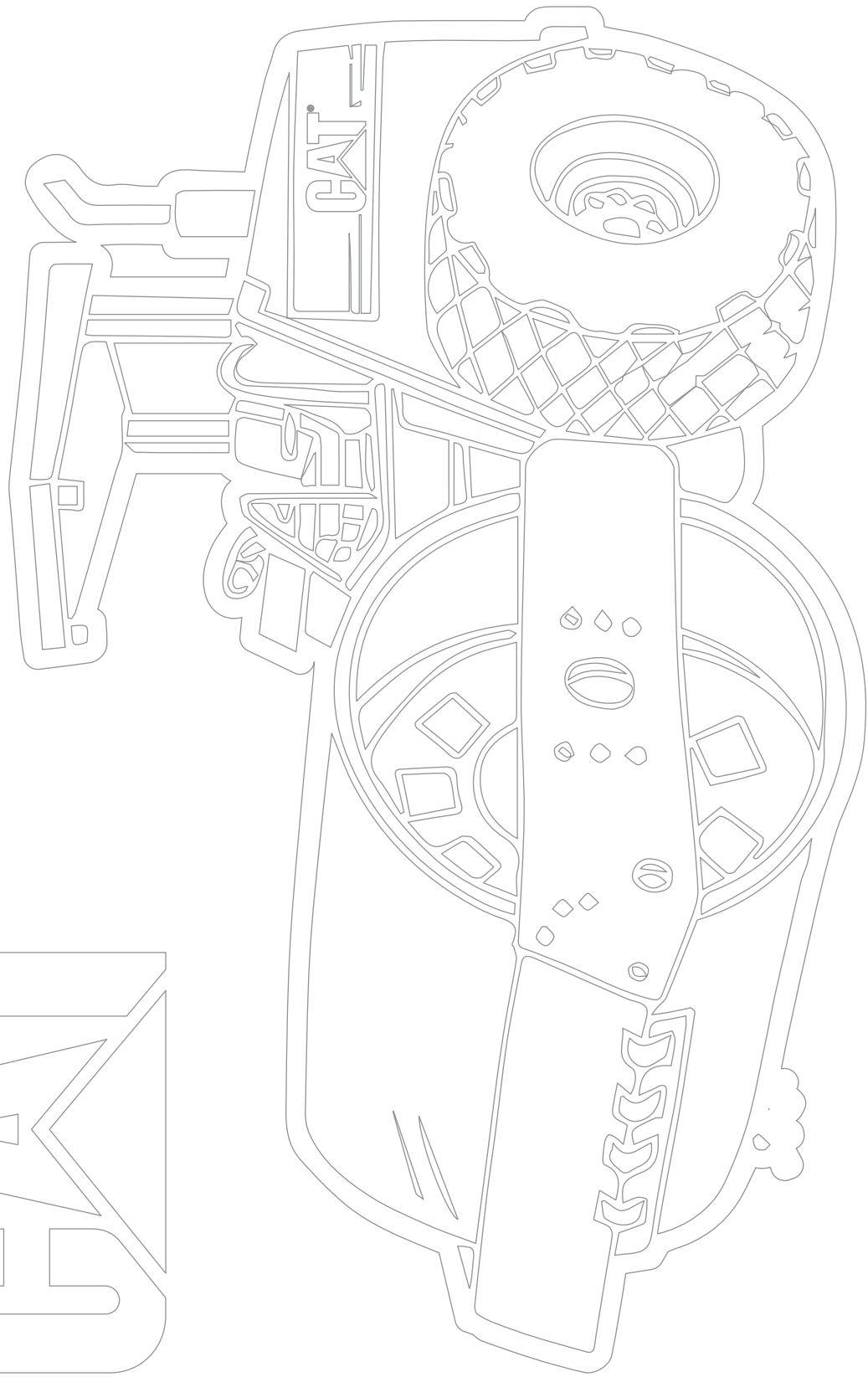


© 2019 Caterpillar. All Rights Reserved.
CAT, CATERPILLAR, LET'S DO THE WORK, their
respective logos, "Caterpillar Yellow", the "Power
Edge" and Cat "Modern Hex" trade dress as well
as corporate and product identity used herein,
are trademarks of Caterpillar and may not be used
without permission.
www.cat.com / www.caterpillar.com
Brush Art Corporation, a licensee of Caterpillar Inc.

Coloring sheets are for internal use only.
If you wish to reproduce for other purposes, please contact Darla Hall at Witty Publications
at dhall@wittypublications.com to place your order.



Created by Darla Hall, owner of Witty Publications
for the Brush Art Corporation.
www.wittypubs.com | © Witty Publications 2019

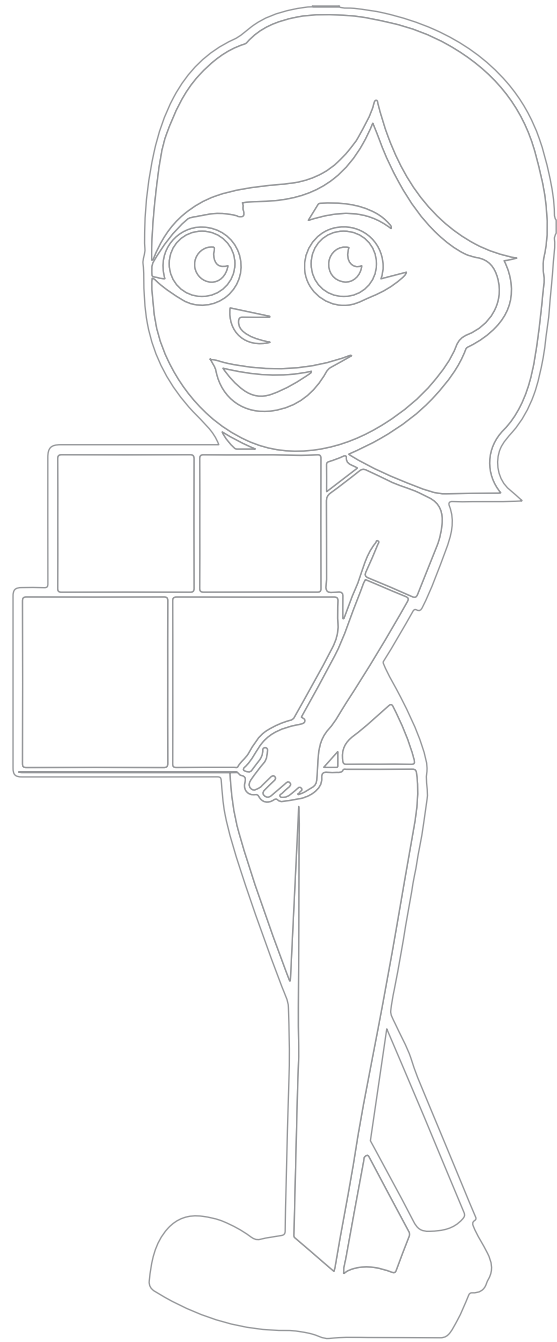
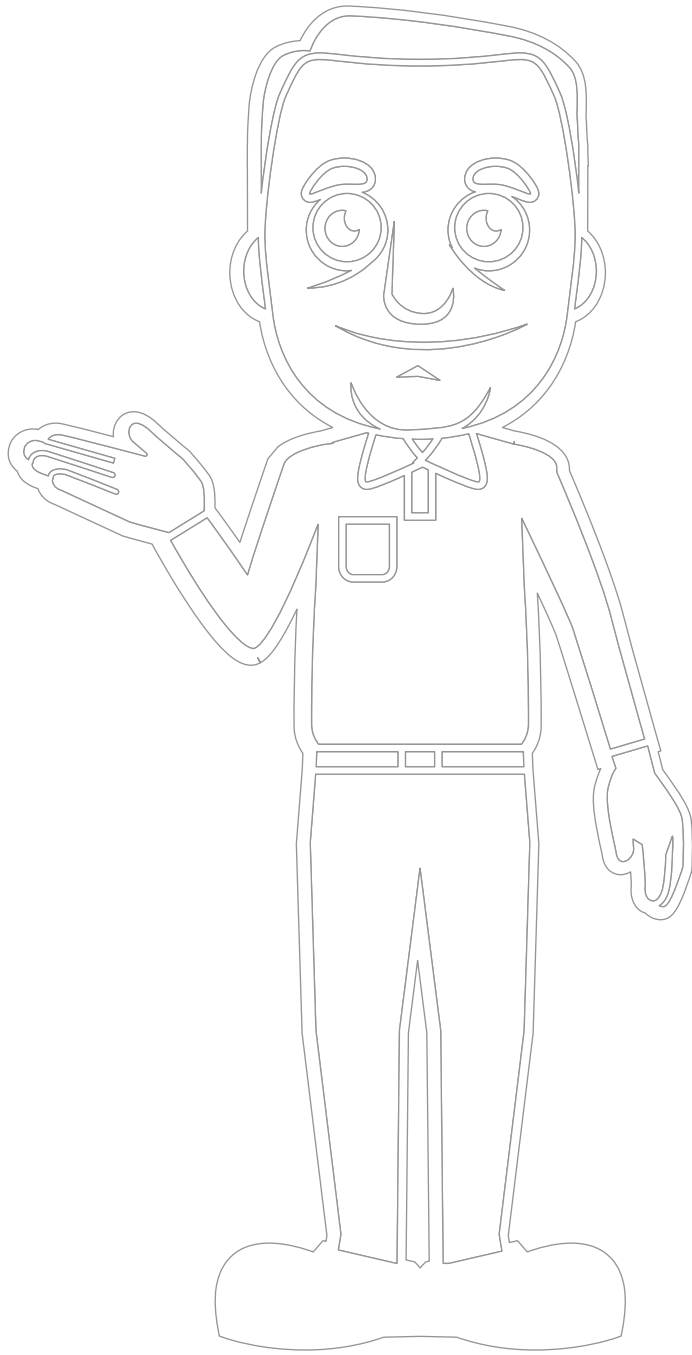


© 2019 Caterpillar. All Rights Reserved.
 CAT, CATERPILLAR, LET'S DO THE WORK, their
 respective logos, "Caterpillar Yellow", the "Power
 Edge" and Cat "Modern Hex" trade dress as well
 as corporate and product identity used herein,
 are trademarks of Caterpillar and may not be used
 without permission.
www.cat.com / www.caterpillar.com
 Brush Art Corporation, a licensee of Caterpillar Inc.

Coloring sheets are for internal use only.
 If you wish to reproduce for other purposes, please contact Darla Hall at Witty Publications
 at dhall@wittypublications.com to place your order.



Created by Darla Hall, owner of Witty Publications
 for the Brush Art Corporation.
www.wittypubs.com | © Witty Publications 2019



CAT®



© 2019 Caterpillar. All Rights Reserved. CAT, CATERPILLAR, LET'S DO THE WORK, their respective logos, "Caterpillar Yellow", the "Power Edge" and Cat "Modern Hex" trade dress as well as corporate and product identity used herein, are trademarks of Caterpillar and may not be used without permission. www.cat.com / www.caterpillar.com Brush Art Corporation, a licensee of Caterpillar Inc.

Coloring sheets are for internal use only. If you wish to reproduce for other purposes, please contact Darla Hall at Witty Publications at dhall@wittypublications.com to place your order.



Created by Darla Hall, owner of Witty Publications for the Brush Art Corporation. www.wittypubs.com | © Witty Publications 2019

